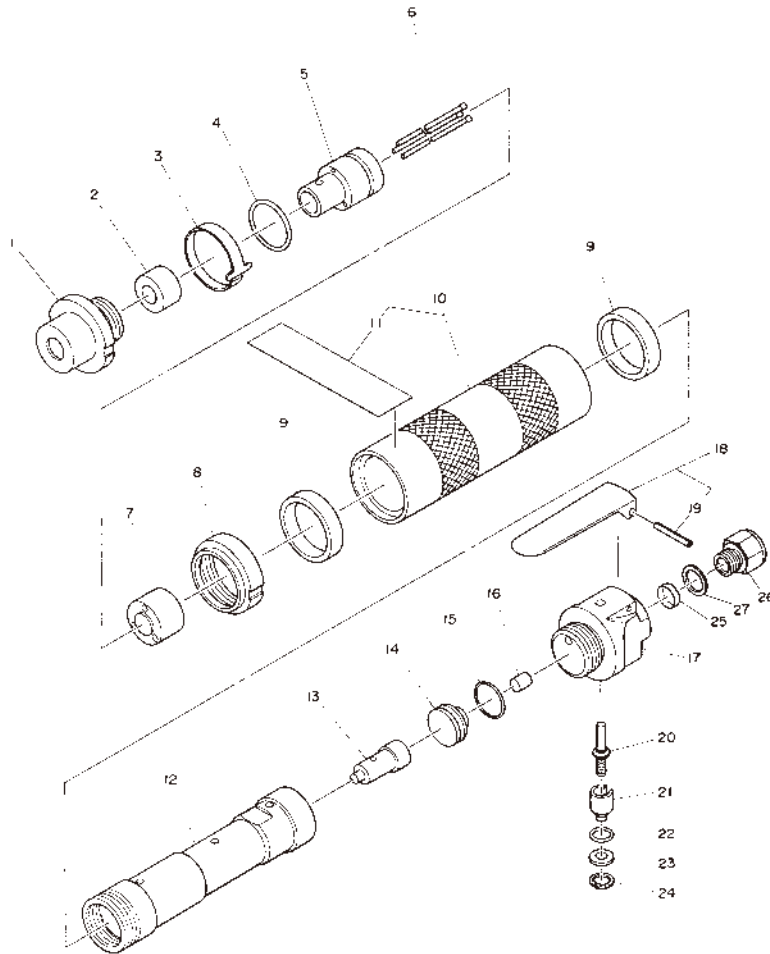


EXPLODED DIAGRAM : AJC-16

WARNING

This diagram is for your reference only. Do not attempt to service or repair the Tool.
Do not take the Tool apart. Contact an authorized Nitto dealer for all service and repair of the Tool.
Improper service and repair can cause accidents and service injuries.
Never attempt to modify the Tool. Never attempt service or repair the Tool yourself.

Exploded diagram/parts list are subject to change at any time without notice. (As of Oct. 2014)



The part numbers with () are included in the Ass'y parts written above them.

No.	Part No.	Description	Qty	Price
1	TQ04558	Lock Ring	1	
2	TQ04559	Muffler	1	
3	TQ03429	Lock Band	1	
4	CP01453	O-Ring P-22A	1	
5	TQ04554	Needle Supporter O.D.3	1	
6	—	Needle O.D.3×180mm	3	
7	TQ04562	Throttle Anvil	1	
8	TQ04557	Lock Nut	1	
9	TQ04556	Urethane Washer 30×34×6	2	
10	TB08708	Cover Ass'y	1set	
11	(TQ12689)	Label Warning	1	
12	TQ04563	Cylinder	1	
13	TQ03427	Piston	1	
14	TQ04553	End Plate	1	
15	TP13275	O-Ring P-16	1	
16	TQ04564	Cushion	1	
17	TQ04966	Valve Body	1	
18	TB03778	Lever Ass'y	1set	

No.	Part No.	Description	Qty	Price
19	(TP00460)	Spring Pin 3×22AW	1	
20	TA93070	Valve Stem Ass'y	1set	
21	TP06325	Adjust Valve	1	
22	TP11997	O-Ring KS-7	1	
23	TP06326	Spacer 6×12×1.2	1	
24	TP03695	Internal Retaining Ring C-12	1	
25	TQ04929	Filter	1	
26	TQ02349	Bushing M16×Rc3/8	1	
27	TQ05564	Washer 16.2×21×1	1	

Accessories

No.	Part No.	Description	Qty	Price
	—	Needle O.D.3×180mm	3	
	TQ02350	Bushing R3/8×NPT3/8	1	
	TQ03262	Hose Nipple R3/8×3/8	1	
	TQ12717	Instruction Manual	1	
	TQ12718	Declaration of Conformity	1	