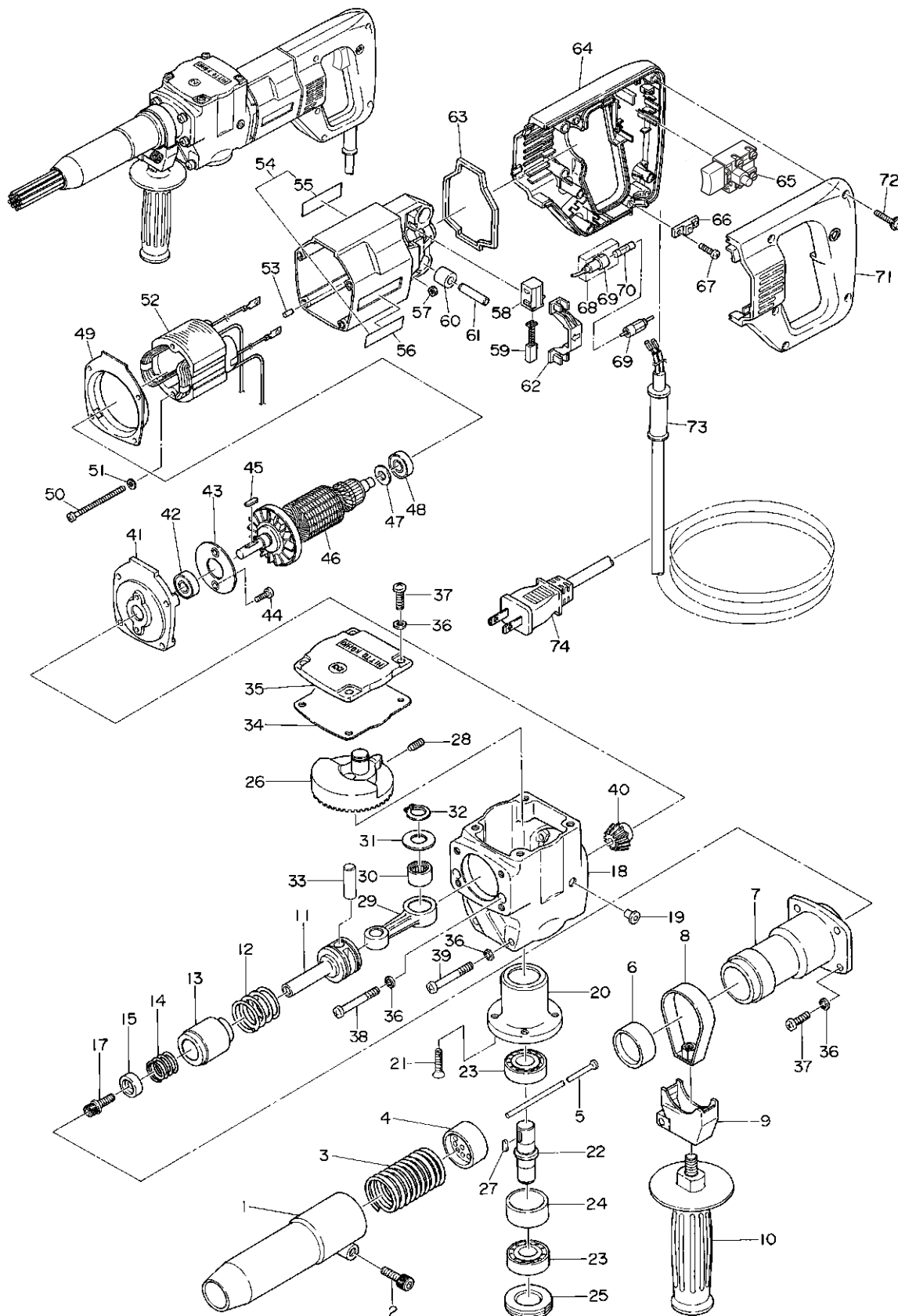


## JET CHISEL (EJC-32A) 110V-120V~ ASSEMBLY AND PARTS LIST

### ⚠ CAUTION

The illustration is for information only. Users should never disassemble parts. Contact the sales agent from whom you purchased the tool or authorized dealer should the tool need service, repair or replacement of parts.



The parts numbers with ( ) are included in the Ass'y parts written above them.(110V-120V~)

No.	Parts No.	Parts Name	Q'ty	Price
1	TA99980	Anvil Guide Sub Ass'y	1set	
2	TP00045	Hex. Socket Cap Screw 8 × 25	1	
3	TP16300	Spring 3.2 × 32.3 × 60	1	
4	TP16301	Needle Supporter 3 φ	1	
5	TP00341	Needle 3 φ × 180	15	
6	TP16302	Throttle Anvil	1	
7	TA99947	Cylinder Ass'y	1set	
8	TP16351	Handle Holder	1	
9	TP16352	Holder Cover	1	
10	TP16350	Side Handle	1	
11	TP16339	Piston	1	
12	TP16340	Spring 5 × 26 × 28.5	1	
13	TP16341	Hammer	1	
14	TP16342	Spring 3.8 × 15.9 × 17.5	1	
15	TP16343	Stopper	1	
17	TQ03340	Hex. Socket Cap Screw 6 × 25 with Spring Washer	1	
18	TQ12270	Crank Case	1	
19	TP04104	Oil Cup	1	
20	TP16336	Bearing Case	1	
21	TQ03972	Cross Recessed Countersunk Screw 5 × 20	4	
22	TP16337	Spindle	1	
23	TP01609	Ball Bearing 6202ZZ	2	
24	TP16338	Spacer 29.1 × 34.9 × 16	1	
25	TP16334	Bearing Set Screw	1	
26	TP16332	Gear	1	
27	TP09933	Sunk Key 4 × 4 × 12 Double-Rounded	1	
28	TP16333	Hex. Socket Set Screw 5 × 14 with Cone Point	1	
29	TP16358	Crank Rod	1	
30	TP16359	Needle Bearing	1	
31	TP16304	Thrust Washer	1	
32	TP02539	Retaining Ring G-14	1	
33	TP16303	Long Cylindrical Roller 10 × 31.6	1	
34	TP16305	Gasket	1	
35	TP16306	Cap	1	
36	TP00513	Spring Washer M5	12	
37	TP00511	Cross Recessed Pan Head Screw 5 × 15	8	
38	TP02655	Cross Recessed Pan Head Tapping Screw 5 × 40	2	
39	TP02656	Cross Recessed Pan Head Tapping Screw 5 × 100	2	
40	TP16309	Pinion	1	
41	TQ03268	Bearing Bracket	1	
42	TP06242	Ball Bearing 629ZZ	1	
43	TQ03269	Bearing Retainer	1	
44	TP04235	Cross Recessed Pan Head Screw 4 × 8	2	
45	TP10107	Sunk Key 3 × 3 × 8 Double-Rounded	1	
46	TB02530	Armature Sub Ass'y	1set	
47	TQ03270	Washer	1	
48	TP16274	Ball Bearing 608VV	1	
49	TQ03289	Fan Guide	1	
50	TQ03271	Cross Recessed Pan Head Screw 4 × 60	2	

No.	Parts No.	Parts Name	Q'ty	Price
51	TP04234	Spring Washer M4	2	
52	TB02531	Stator Sub Ass'y	1set	
53	TQ03272	Rubber Plug	1	
54	TB02528	Frame Ass'y	1set	
55	(TQ12917)	Warning Label CE Mark	1	
56	(TP16357)	Nitto Label	1	
57	LP30233	Hex. Nut M4	2	
58	TQ03273	Brush Holder	2	
59	TB02515	Carbon Brush Ass'y	1set	
60	TQ03275	Absorbing Rubber(B)	2	
61	TQ03276	Core Rod	2	
62	TQ03277	Brush Holder Retainer	2	
63	TQ03278	Absorbing Rubber(A)	1	
64	TQ13398	Switch Handle(B)	1	
65	TQ13396	Switch	1	
66	TQ03281	Cord Clamp	1	
67	TQ03282	⊕ Screw YPF 4 × 14	2	
68	TP16321	Sponge	1	
69	TQ03287	Fuse Holder	1	
70	TQ03283	Fuse 5A	1	
71	TQ13397	Switch Handle(A)	1	
72	TQ03285	⊕ Screw YPF 4 × 20	5	
73	TQ03286	Strain Reliever	1	
74	TB02513	Cabtyre Cord Ass'y	1set	

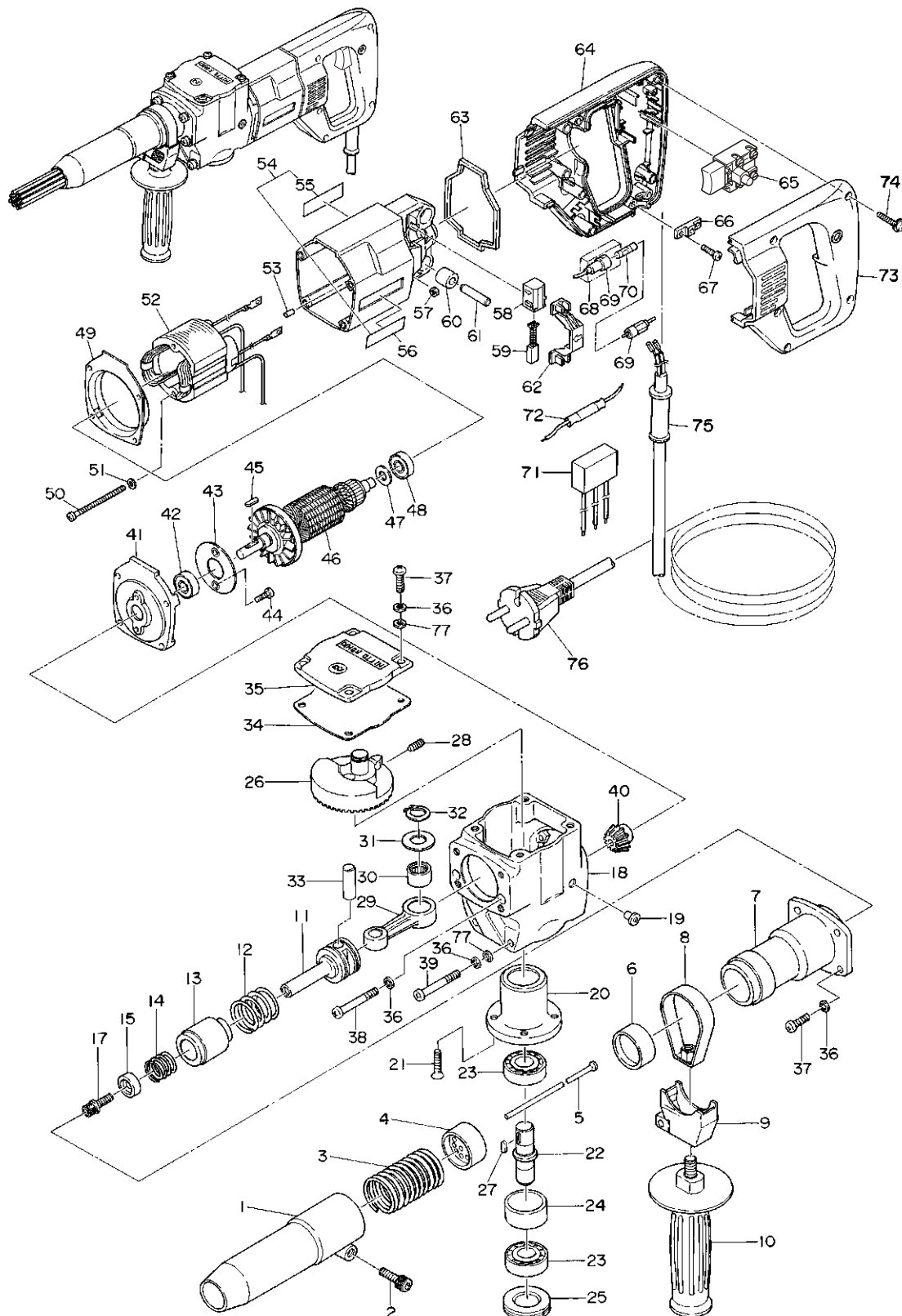
#### Accessories

No.	Parts No.	Parts Name	Q'ty	Price
	TP00170	Hex. Socket Screw Key 6	1	
	TP00341	Needle 3 φ × 180	15	
	TQ12916	Instruction Manual	1	
	TQ12915	Declaration of Conformity	1	

# JET CHISEL (EJC-32A) 220V-240V~ ASSEMBLY AND PARTS LIST

## ⚠ CAUTION

The illustration is for information only. Users should never disassemble parts. Contact the sales agent from whom you purchased the tool or authorized dealer should the tool need service, repair or replacement of parts.



The parts numbers with ( ) are included in the Ass'y parts written above them.(220V-240V~)

No.	Parts No.	Parts Name	Q'ty	Price
1	TA99980	Anvil Guide Sub Ass'y	1set	
2	TP00045	Hex. Socket Cap Screw 8 × 25	1	
3	TP16300	Spring 3.2 × 32.3 × 60	1	
4	TP16301	Needle Supporter 3 φ	1	
5	TP00341	Needle 3 φ × 180	15	
6	TP16302	Throttle Anvil	1	
7	TA99947	Cylinder Ass'y	1set	
8	TP16351	Handle Holder	1	
9	TP16352	Holder Cover	1	
10	TP16350	Side Handle	1	
11	TP16339	Piston	1	
12	TP16340	Spring 5 × 26 × 28.5	1	
13	TP16341	Hammer	1	
14	TP16342	Spring 3.8 × 15.9 × 17.5	1	
15	TP16343	Stopper	1	
17	TQ03340	Hex. Socket Cap Screw 6 × 25 with Spring Washer	1	
18	TQ12270	Crank Case	1	
19	TP04104	Oil Cup	1	
20	TP16336	Bearing Case	1	
21	TQ03972	Cross Recessed Countersunk Screw 5 × 20	4	
22	TP16337	Spindle	1	
23	TP01609	Ball Bearing 6202ZZ	2	
24	TP16338	Spacer 29.1 × 34.9 × 16	1	
25	TP16334	Bearing Set Screw	1	
26	TP16332	Gear	1	
27	TP09933	Sunk Key 4 × 4 × 12 Double-Rounded	1	
28	TP16333	Hex. Socket Set Screw 5 × 14 with Cone Point	1	
29	TP16358	Crank Rod	1	
30	TP16359	Needle Bearing	1	
31	TP16304	Thrust Washer	1	
32	TP02539	Retaining Ring G-14	1	
33	TP16303	Long Cylindrical Roller 10 × 31.6	1	
34	TP16305	Gasket	1	
35	TP16306	Cap	1	
36	TP00513	Spring Washer M5	12	
37	TP00511	Cross Recessed Pan Head Screw 5 × 15	8	
38	TP02655	Cross Recessed Pan Head Tapping Screw 5 × 40	2	
39	TP02656	Cross Recessed Pan Head Tapping Screw 5 × 100	2	
40	TP16309	Pinion	1	
41	TQ03268	Bearing Bracket	1	
42	TP06242	Ball Bearing 629ZZ	1	
43	TQ03269	Bearing Retainer	1	
44	TP04235	Cross Recessed Pan Head Screw 4 × 8	2	
45	TP10107	Sunk Key 3 × 3 × 8 Double-Rounded	1	
46	TB02532	Armature Sub Ass'y	1set	
47	TQ03270	Washer	1	
48	TP16274	Ball Bearing 608VV	1	
49	TQ03289	Fan Guide	1	
50	TQ03271	Cross Recessed Pan Head Screw 4 × 60	2	

No.	Parts No.	Parts Name	Q'ty	Price
51	TP04234	Spring Washer M4	2	
52	TB02533	Stator Sub Ass'y	1set	
53	TQ03272	Rubber Plug	1	
54	TB02529	Frame Ass'y	1set	
55	(TQ12914)	Warning Label CE Mark	1	
56	(TP16357)	Nitto Label	1	
57	LP30233	Hex. Nut M4	2	
58	TQ03273	Brush Holder	2	
59	TB02515	Carbon Brush Ass'y	1set	
60	TQ03275	Absorbing Rubber(B)	2	
61	TQ03276	Core Rod	2	
62	TQ03277	Brush Holder Retainer	2	
63	TQ03278	Absorbing Rubber(A)	1	
64	TQ13398	Switch Handle(B)	1	
65	TQ13396	Switch	1	
66	TQ03281	Cord Clamp	1	
67	TQ03282	⊕ Screw YPF 4 × 14	2	
68	TP16321	Sponge	1	
69	TP16318	Fuse Holder	1	
70	TP16320	Fuse 3A	1	
71	TQ03294	Capacitor	1	
72	TQ03291	Choke Coil	2	
73	TQ13397	Switch Handle(A)	1	
74	TQ03285	⊕ Screw YPF 4 × 20	5	
75	TQ03286	Strain Reliever	1	
76	TB02514	Cabtyre Cord Ass'y	1set	
77	TQ12606	Washer M5	6	

## Accessories

No.	Parts No.	Parts Name	Q'ty	Price
	TP00170	Hex. Socket Screw Key 6	1	
	TP00341	Needle 3 φ × 180	15	
	TQ12916	Instruction Manual	1	
	TQ12915	Declaration of Conformity	1	