

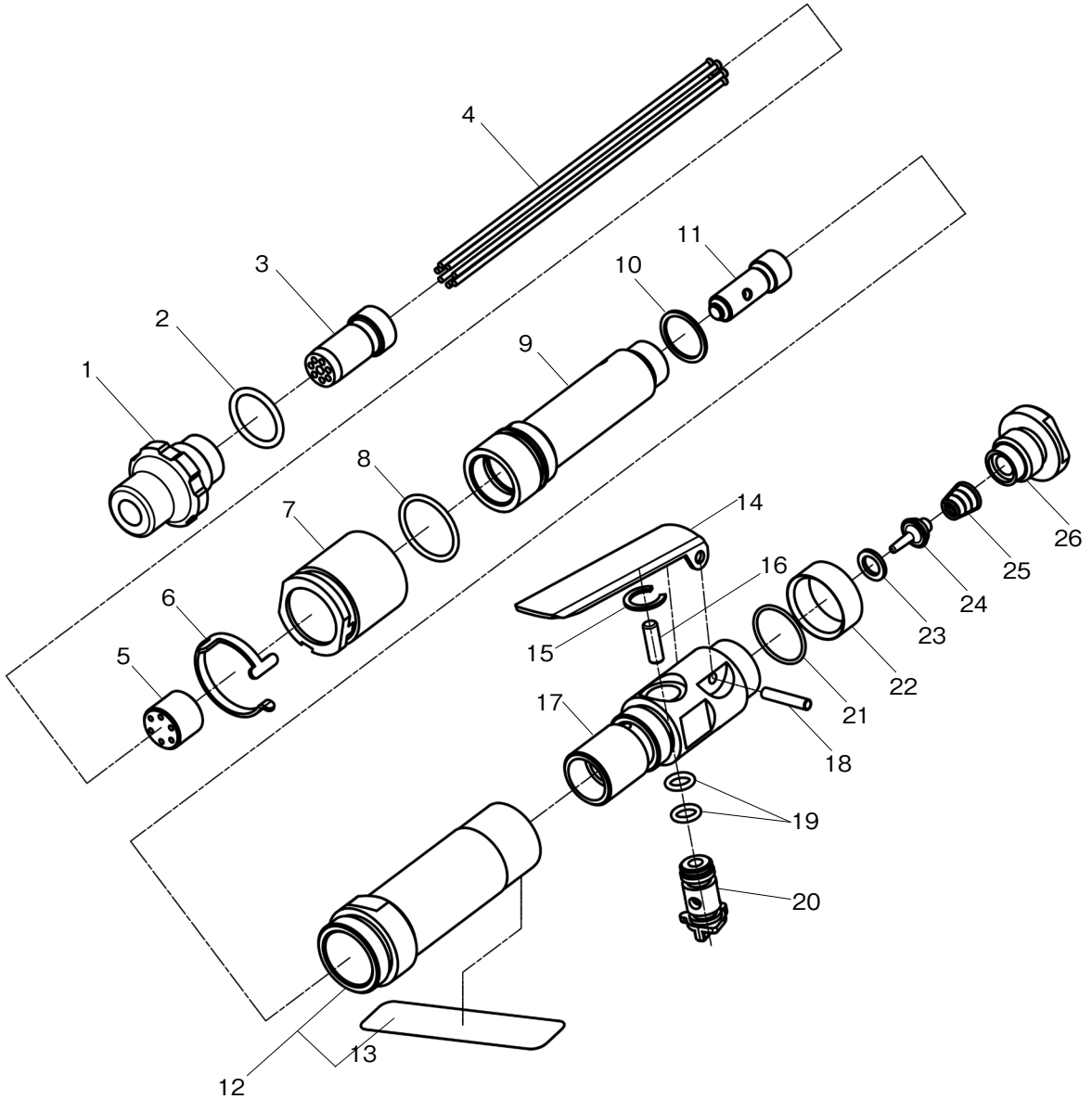
Exploded view/parts list are subject to change at any time without notice. (As of Mar. 2023)

## Exploded View/Parts List

### JT-10 Exploded View/Parts List

#### ⚠ CAUTION

- **Users should never perform disassembly of the tool.**  
This illustration is for reference only.  
For repair or replacement of the tool, request service from the retailer where you purchased the tool or the nearest NITTO service member store.



Parts inside ( ) are components of the above assembly.

No.	Part No.	Part Name	Quantity
1	TQ15500	Lock Ring	1
2	CP25581	O-Ring JASO-1015	1
3	TQ15496	Needle Supporter O.D. 1.6	1
4	TQ15502	Needle O.D. 1.6X120	7
5	TQ15498	Throttle Anvil	1
6	TQ15501	Lock Band	1
7	TQ15499	Stopper	1
8	TP04321	O-Ring S-18	1
9	TQ15495	Cylinder	1
10	TQ15503	Packing	1
11	TQ15497	Piston O.D.10	1
12	TB11537	Housing Ass'y	1set
13	(TQ16669)	Label Model	1
14	TQ15486	Throttle Lever	1
15	TQ14407	Retaining Ring ISTW-9	1
16	TQ16580	Pin 4X12	1
17	TQ15492	Valve Body	1
18	TP07436	Spring Pin 3X18 AW	1
19	CP26930	O-Ring S-7	2
20	TB11452	Adjust Valve Sub Ass'y	1set
21	TQ10061	O-Ring SS-175	1
22	TQ15491	Ring	1
23	TQ16505	Seal Ring	1
24	TQ15487	Valve	1
25	TQ15489	Conical Spring 0.8X4.8X8.3X11.5	1
26	TQ15490	Bushing M14XRC1/8	1

#### Accessories

No.	Part No.	Part Name	Quantity
	TB07904	Air Hose E Ass'y	1set
	TP02236	Bushing R1/4XNPT1/4	1
	—	Needle O.D. 1.6X120	7
	TQ16670	Instruction Manual	1