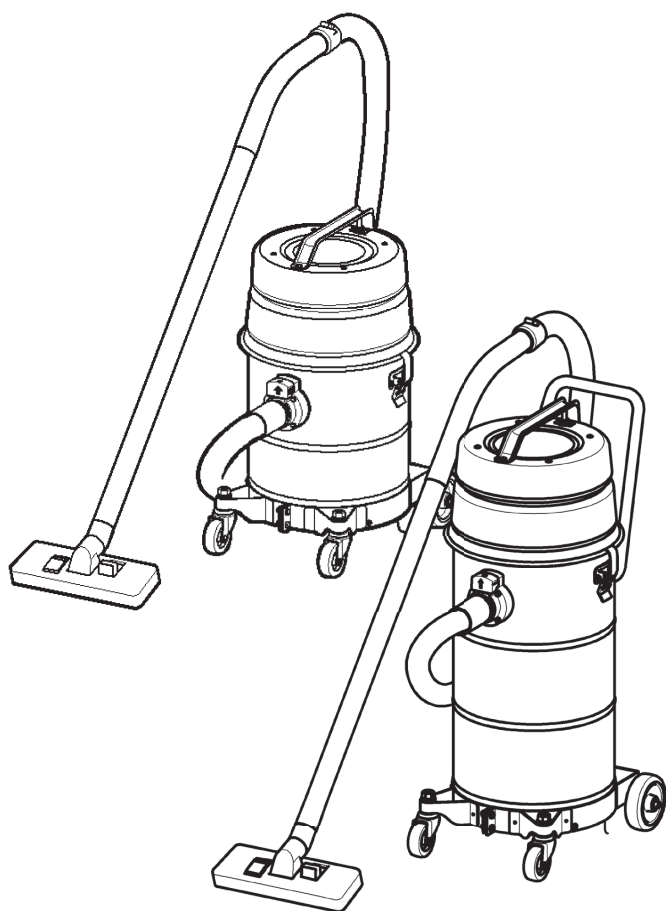


# Wet & Dry Power Cleaner SPSV-110-8A SPSV-110L-8A

## INSTRUCTION MANUAL

### Index

1. For your safety! .....	1
2. Product specification.....	3
3. Parts .....	4
4. How to use .....	5
• How to clean different substances .....	5
• Assembling the hose and tubes .....	5
• Attaching and detaching the hose .....	6
• Attaching the nozzles .....	6
• Connecting to a power source .....	6
• Operating the vacuum cleaner .....	7
• Filter dust removal .....	7
• Emptying the dust bin .....	7
• The supporting filter .....	8
5. Maintenance .....	9
• Filter maintenance .....	9
• General maintenance .....	11
6. Safety inspection .....	12
7. Trouble shooting .....	13
8. After service .....	15





Be sure to thoroughly read this manual to the end before commencing operation of the unit. Please also store this instruction manual in a place where it can be accessed by anyone who needs it at all times.

Thank you for purchasing this product from the world brand **SUIDEN**. Please use this product correctly after having thoroughly read this manual. After having finished reading, please store it in a place where it is easily accessed by people using the unit. If during use the unit malfunctions, or if something is unclear, please consult this manual.

# 1 FOR YOUR SAFETY!

Please do not operate the unit before carefully reading and understanding the content of this section. The items treated in this section are to ensure safe use of the unit and to beforehand prevent harm or injury to you and others. Further, to clarify the severity of the harm and injuries that can result from incorrect use, the items in this section are divided into two categories; Warnings and Caution. However, since the actions explained under caution also sometimes can cause severe harm, please follow all instructions in this section carefully regardless of category.

-  **Warning:** Incorrect use can cause death or severe injury.
-  **Caution:** Incorrect use can cause bodily harm or can damage the unit.
- △ **Note:** Additional useful information other than warnings and caution.




## ● GENERAL CAUTION

### **Caution**

-  Do not use the unit in any other way than is described in this manual.  
\* **Incorrect use can cause accidents, malfunction or damage the unit.**










## ● CARRYING / MOVING THE UNIT

### **Caution**

-  When carrying, or moving the unit in any other way, please keep it balanced and adapt your movement to the shape and weight of the unit at all time. Remember to only bend your knees, not your back.  
\* **If the unit is dropped, there is a risk of injury.**
-  Be very careful when packing the unit in and out of vehicles.  
\* **If the unit is dropped, there is risk of physical injury and damage to the unit.**
-  If the unit is transported in a vehicle after it is unpacked, be sure to fasten it thoroughly with a rope or a strap.  
\* **If unfastened the unit can move unexpectedly and cause an accident.**

## ● TESTING AND OPERATING THE UNIT

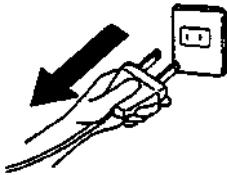
### **Warning**

- |   |   |
|---|---|
|  Use a 15A rated electrical outlet. Do not plug in any other electrical appliance in the same outlet.<br>* <b>If other appliances are connected in the same outlet at the same time, the outlet can overheat and catch fire.</b> |  Earth the unit securely, and use a earth leakage circuit breaker (bought separately).<br>* <b>When the unit is broken or has a short circuit, there is risk of electric shock.</b>                    |
|  Do not put wet hands on the plug, the switch or the electric wires.<br>* <b>This can cause electric shock and injury.</b>   |  Do not expose to water or oil.<br>* <b>Water or oil can cause a short circuit, electric shock or other accidents.</b>   |
|  Do not use the unit to clean, nor use the unit close to kerosene, gasoline, thinner, ether, paints or other flammable or explosive objects.<br>* <b>This can result in fire or explosion.</b>                                   |  Do not use the unit to clean, nor use the unit close to dust, gas or steam containing aluminium, magnesium, titanium or other flammable substances.<br>* <b>This can result in fire or explosion.</b> |
|  Do not clean chlorine-based cutting oil.<br>* <b>This can lead to a chemical reaction that makes the resin parts crack and tear, which can lead to injuries as well as damage to the unit.</b>                                  |  Regularly clean the electric plug with a dry cloth.<br>* <b>If the plug becomes covered with dust, the insulation can become nonfunctional because of moisture and other factors, and cause fire.</b> |
|  Do not use the unit to clean harmful substances or dust containing dioxins, asbestos or other harmful substances.<br>* <b>This could cause harm to your health and pollute the environment.</b>                                 |   |

## ⚠ Caution



If the unit is not working properly, pull the plug immediately and turn it in for service or repair.  
**\* There is risk of electric shock or fire caused by a short circuit.**



Do not use the unit with any other voltage than AC 220V.  
**\* There is risk of electric shock or fire caused by a short circuit.**



Keep away from fire.  
**\* The unit can become deformed, causing short circuit and possibly fire.**



Earth the unit securely with earth clip at the end of the electric cord. Especially if you are cleaning a place with wet floors.  
**\* If the unit is not earthed, there is risk of electric shock.**



If the suction of the unit is obstructed by something getting stuck inside the tube or hose, or if the float device has been risen, you must turn off the power immediately.  
**\* The motor can otherwise overheat and break down.**



Do not obstruct the suction inlet or the exhaust air vent while the unit is in operation.  
**\* The motor can otherwise overheat and break down.**



Never use the unit to clean metal chips or swarf without the support filter.  
**\* Without the support filter, the normal filter can get damaged by the metal chips and swarf, which can lead to accidents and malfunction.**



Do not use the unit in places where it can be exposed to rain or other water.  
**\* Contact with water can damage the insulation and cause electric shock, short circuit, fire and other accident and injuries.**



Do not use the unit in places with high concentration of dust in the air.  
**\* If there are high levels of dust in the air, dust can enter into the motor, causing it to overheat and can result in a fire.**



Do not use in areas with mist or smoke from chlorine-based cutting oil.  
**\* This can lead to a chemical reaction that makes the resin parts break, which can lead to injuries as well as damage to the unit.**



Do not use at temperatures higher than 40°C.  
**\* This could cause fire.  
 \* The unit can be used within the temperature range 0-40°C.**



Do not use the unit at high humidity.  
**\* This could cause fire, short circuit or malfunction.  
 \* The humidity should be below 80%.**



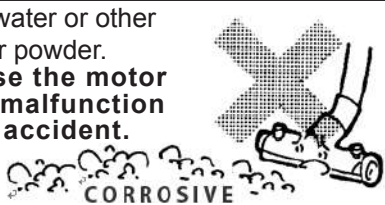
Do not clean thinner or other solvents, volatile or explosive gases or dust, lit cigarettes or other hot or burning substances.  
**\* This could cause explosions, fires or the filter to get burned and damaged.**



Do not clean solidified cement dust, synthetic resin dust, metal dust, carbon dust, conductive fine dust or pharmaceuticals.  
**\* This could cause fire from short circuit or electric shock.**



Do not clean sea water or other corrosive liquids or powder.  
**\* This can cause the motor to catch fire, malfunction or cause an accident.**



Do not clean any substance, liquid or dust that foams.  
**\* Foam can cause the float device to not work properly, causing the vacuum cleaner to overfill and leak from the exhaust vent. This could cause short circuit, motor malfunction, or stain your clothes.**



Never use the unit while it is tipped over on its side.  
**\* The content of the tank might spill out.**



Do not tip the unit over during or after cleaning liquids.  
**\* This could cause the motor to overheat or malfunction, or cause an accident.**



Do not step on the hose or pull it recklessly.  
**\* The hose can get damaged and start leaking into the environment where the vacuum cleaner is being used.**



Do not put hands or fingers into the air suction inlet holes or the nozzles.  
**\* There is risk of injury.**



Do not use the unit if the cord or plug is damaged, or if the plug is loose in the socket.  
**\* Electric shock or fire caused by a short circuit can occur.**



If you use an extension cord, make sure to use one that meets the specified requirements.  
**\* There is risk of the cord overheating and catching fire.**



Do not move the unit by pulling the electric cord or hose.  
**\* The cord or hose can get damaged, cause electric shock, short circuit, fire or leakage.**

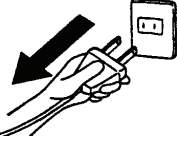
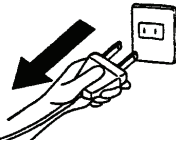


Do not use the unit when the cord is coiled or bundled together.  
**\* There is risk of the cord overheating and catching fire.  
 \* Make sure that the cord is extended before use.**



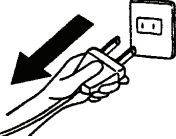
Do not damage, extend, nor excessively bend, pull, twist, bundle, squeeze or put heavy objects on the cord.  
**\* If the cord gets damaged, there is risk of electric shock or fire.**

### ⚠ Caution

<p>⊘ Do not let the plug get dirty or get exposed to metal objects while plugged. * <b>There is risk of electric shock, short circuit and fire.</b></p>	<p>❗ Bundle the electric cord after use. * <b>There is risk of the cord getting damaged.</b></p>
<p>❗ When you remove the plug from the outlet, be sure to pull it out holding the plug, not the cord. * <b>There is risk of electric shock, short circuit and fire.</b></p> 	<p>⊘ Remove the plug from the electric outlet when the unit is not in use. * <b>There is risk of burning and other injuries, electric shock, fire caused by short circuit etc.</b></p> 
<p>⊘ Do not empty the vacuum cleaner tank while smoking. * <b>A lit cigarette can cause the content to catch fire, causing burn injuries or fire.</b></p>	<p>❗ Use a face mask and protective goggles when emptying the unit. * <b>Emptying without goggles or face mask can be harmful to your health.</b></p>

## ● MAINTENANCE AND TROUBLESHOOTING

### ⚠ Caution

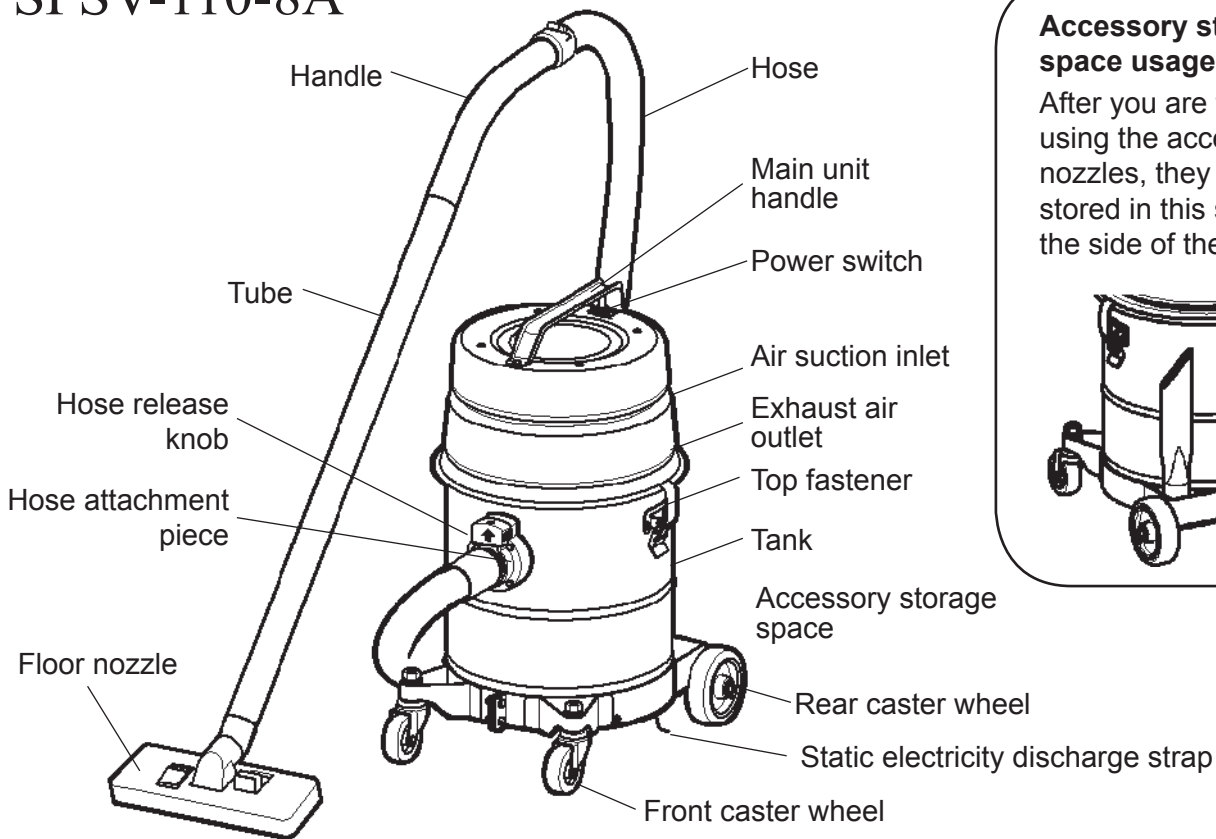
<p>⊘ Disassemble, repair and reassemble is not to be attempted by anyone other than an authorized repairman/technician. * <b>Inadequate or poor handling can result in fire, malfunction and injuries.</b></p>	<p>⊘ Be sure to unplug the unit from the outlet during maintenance. * <b>There is risk of electric shock and injury.</b></p> 
--	--

## 2 PRODUCT SPECIFICATION

Model number	SPSV-110-8A	SPSV-110L-8A
Suitable for cleaning	Dust, liquids, metal swarf	
Power supply	Single phase 220V, 50Hz	
Max vacuum pressure	21.0 kPa	
Suction air volume	2.7 m <sup>3</sup> /min	
Power consumption	1100W	
Rated current	5.5A	
Noise level	75 dB	
Tank capacity	Dust: 10L / Liquids: 7L	Dust: 22L / Liquids: 20L
Net weight	14 kg (Including accessories)	16 kg (Including accessories)
Hose	Diameter	38 mm
	Length	2 m
Power cord length	8 m	
Dimensions (mm)	W370 x D410 x H580	W400 x D420 x H780

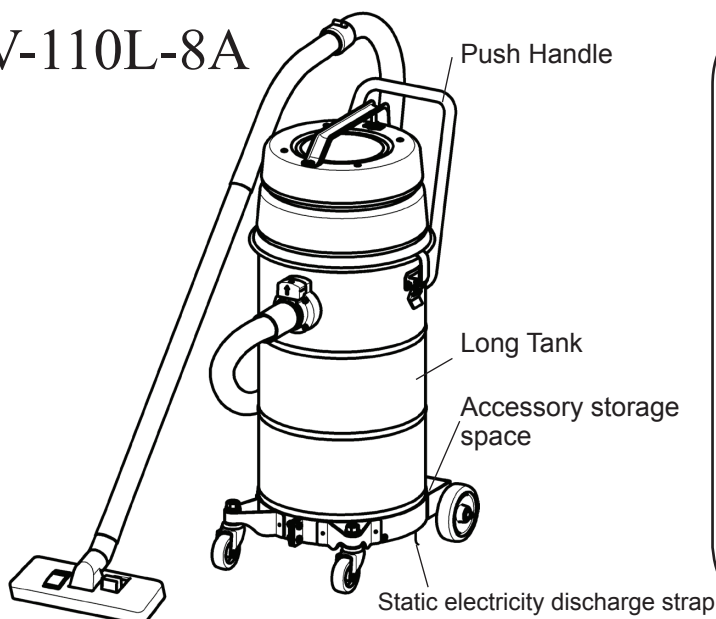
# 3 PARTS

## SPSV-110-8A



**Accessory storage space usage**  
 After you are finished using the accessory nozzles, they can be stored in this space on the side of the unit.

## SPSV-110L-8A

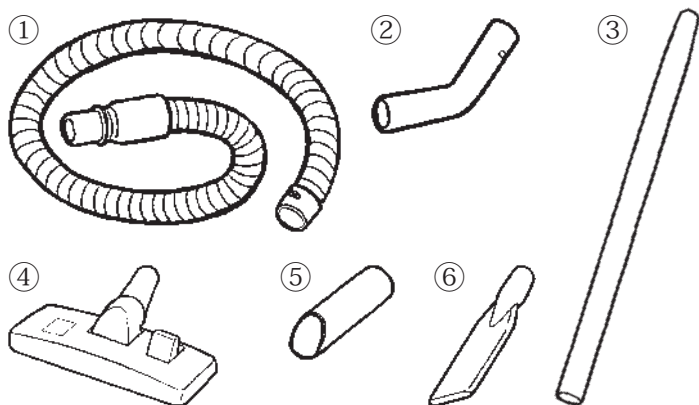


**Filter**  
 Exploded view

Labels for the filter assembly: Filter border, Cloth filter, Filter clamp, Filter cover, Support filter, and Support filter holder.

### ACCESSORIES

1.  $\varnothing$  38mm Hose (2m)
2.  $\varnothing$  38mm Handle
3.  $\varnothing$  38mm Aluminium straight tube
4.  $\varnothing$  38mm Floor nozzle
5.  $\varnothing$  38mm Cut nozzle
6.  $\varnothing$  38mm Crevice nozzle





## 4 HOW TO USE

**Important: To ensure safety, read section one "1 For your safety!" first.**

### 1. HOW TO CLEAN DIFFERENT SUBSTANCES

#### Caution

 Never use the unit to clean metal chips or swarf without the support filter in place.  
**\* Without the support filter, the normal filter can get damaged by the metal chips and swarf, which can lead to accidents and malfunction.**

 Be sure to use the vacuum cleaner correctly when cleaning liquids.  
**\* If used in an incorrect way, the vacuum cleaner tank can become overfilled and start leaking liquid.**

#### HOW TO CORRECTLY USE THE SUPPORT FILTER

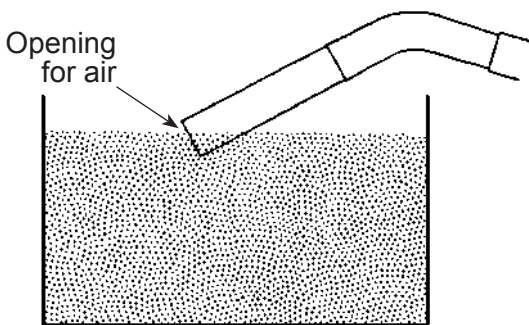
This unit can clean dust, liquids and metal swarf, chips and dust, but be sure to note that what you clean determines whether the support filter should be attached or not (See explanation below). **The support filter is attached on delivery.** See page 8 to learn how to attach and remove the support filter.

- I. **When cleaning metal chips and swarf:** The support filter must be attached.
- II. **When cleaning liquids:** Remove the support filter.
- III. **When cleaning normal dust and powder:** Remove the support filter.

#### HOW TO CORRECTLY CLEAN LIQUIDS

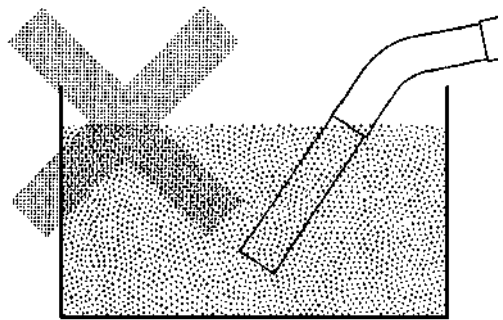
##### • CORRECT METHOD

When you clean liquids directly with the hose or tube, make sure that the end is slightly elevated above the surface of the liquid so that air also can enter.



##### • INCORRECT METHOD

Do not put the whole end of the hose or tube into the liquid!




##### • HIGHER EFFICIENCY WITH SEVERAL SPECIALIZED UNITS

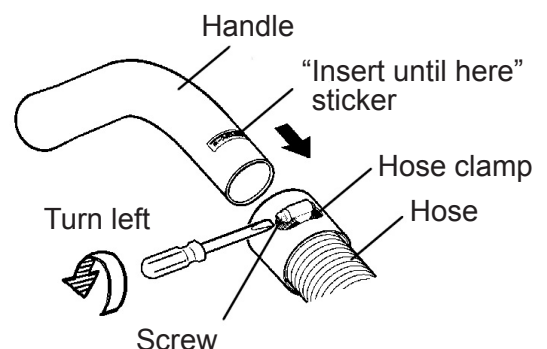
Any SPSV-110 unit can be used for either dust, liquids or metal swarf or chips, but to gain optimal efficiency it is recommended to have several units, each of which is exclusively used to clean only one type of waste.

### 2. ATTACHING THE HANDLE TO THE HOSE

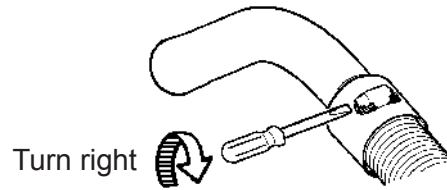
- I. Unscrew the screw of the hose clamp with a screwdriver, turning it to the left.

 **Note:** Do not remove the hose clamp from the hose. Putting it back on the hose is very difficult.

- II. Insert the handle into the hose until it has reached the "Insert until here" sticker on the upside of the handle.



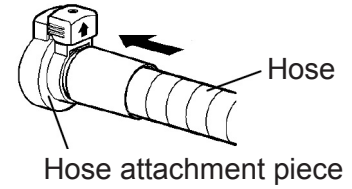
- III. Fasten the hose clamp by turning the screw to the right.
- IV. Try to pull the handle to make sure that it is securely attached.



### 3. ATTACHING AND DETACHING THE HOSE

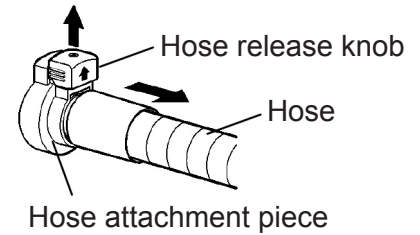
#### (1) ATTACHING THE HOSE

Insert the hose in to the hose attachment piece and press until it says click.



#### (2) DETACHING THE HOSE

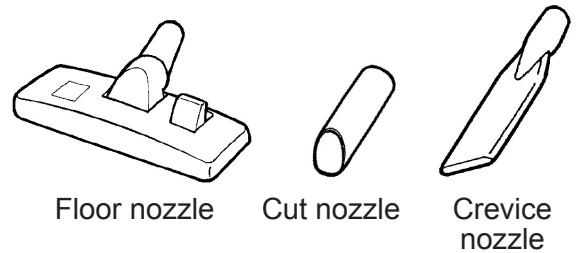
Raise the hose release knob upwards while you pull out the hose from the hose attachment piece.



### 4. CHOOSING THE APPROPRIATE NOZZLE

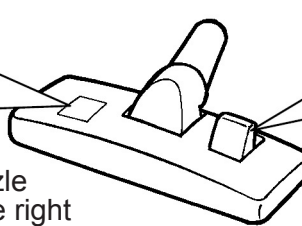
Choose the appropriate nozzle for the cleaning at hand.

- **Floor nozzle:** General nozzle for floors and other surfaces.
- **Cut nozzle:** For metal chips and swarf.
- **Crevice nozzle:** For crevices and other narrow spaces.



#### ■ HOW TO USE THE FLOOR NOZZLE ■

When this button is erected, it indicates that the carpet brush is extended. Press to retract the brush.

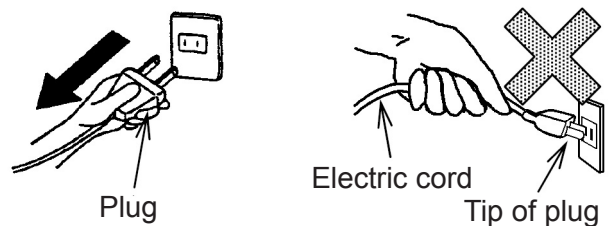


When this button is erected, it indicates that the carpet brush is retracted. Press to extend.

\* When cleaning carpets, the nozzle should look like the picture to the right

### 5. CONNECTING TO A POWER SOURCE

- I. Insert the plug into a 220V electric outlet.
- II. When you unplug the unit, be sure to grip the plug and not the cord when you pull it out of the outlet.



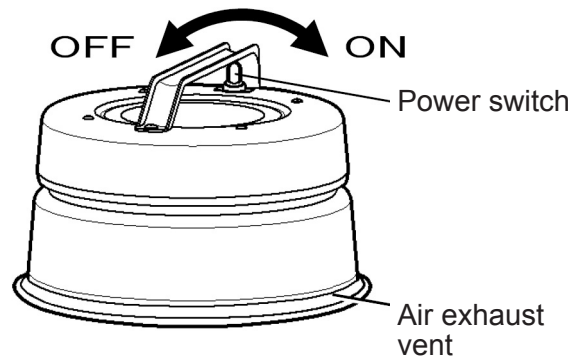
△ **Note:** If you pull the plug out holding the cord, the tip of the plug can become deformed and will not be able to be used anymore.

## 6. OPERATING THE VACUUM CLEANER

- I. Turn on the vacuum cleaner by turning the power switch on the top to on.
- II. When you have finished cleaning, turn off the vacuum cleaner by turning the power switch to off.

### △ Note:

- \* If liquid starts to spray up from the air exhaust vent during operation, that could indicate that the filter has gotten wet. If the filter is wet, it can easily get clogged by dirt.
- \* In that case, leave the vacuum cleaner on to suck just air for a couple of minutes until the filter is dry again. See pages 9-11 for more information about filter maintenance.
- \* Depending on what you are cleaning, the tube, handle or hose can become charged with static electricity. This however does not mean that there is electric leakage. Please use rubber gloves if you have problems with static electricity.



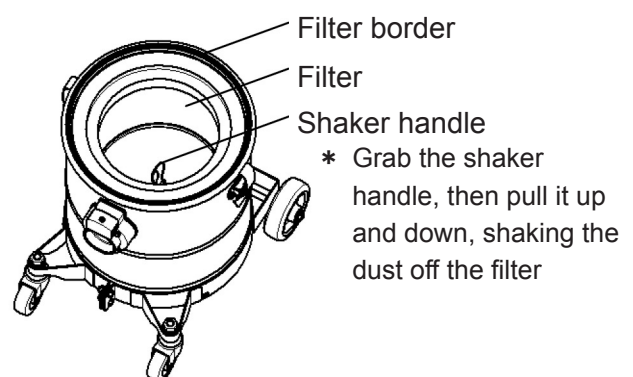
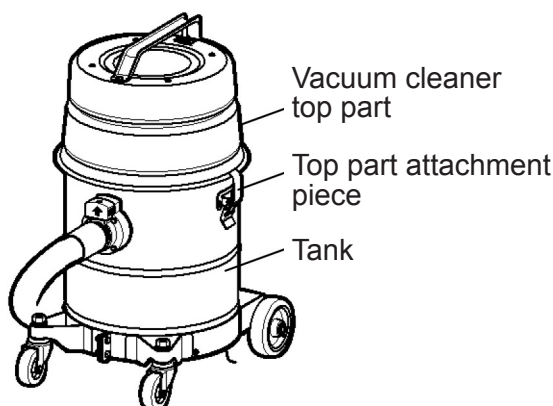
## 7. FILTER DUST REMOVAL

When dirt gets stuck to the filter, the suction capability deteriorates. Therefore you should clean the filter by shaking off the dust in the manner described below before and after every time you use the unit.

### △ Note:

- \* Be sure to remove the support filter before shaking the normal filter. If the support filter is still attached, the dust from the normal filter will just fall into the support filter, and not into the tank as it should.
- \* See page 8 for description on how to attach and remove the support filter.

- I. Unfasten the two top part fasteners on the sides of the unit and remove the top part.
  - Do not remove the hose from the hose attachment piece!
- II. Without removing the filter from within the tank, hold down the filter border so it doesn't move, grab the shaker handle and pulling it up and down, shaking the dust off the filter.
- III. Since the suction weakens when the filter gets clogged, this procedure should be repeated after every use.



## 8. EMPTYING THE TANK

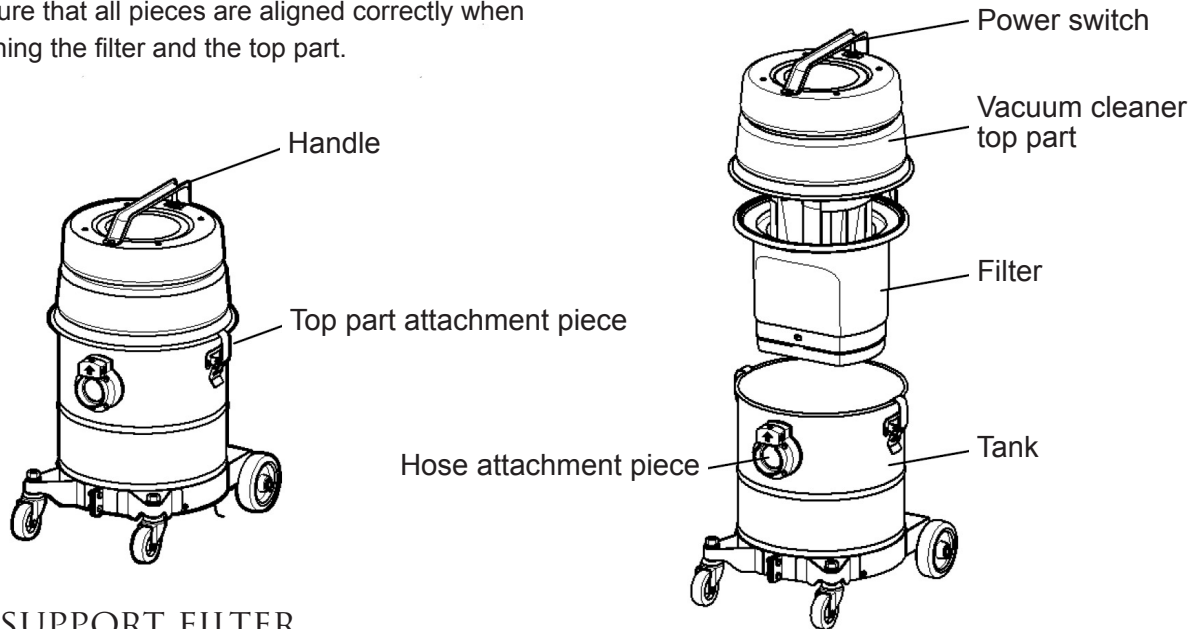
### △ Note:

- \* Be sure to follow the proper regulations when disposing of industrial waste.
- \* If you have filled the tank beyond the unit's capacity, the content can spill over when you remove the top. Therefore, be sure to empty the tank regularly when needed.

- I. Unfasten the two top part fasteners on the sides of the unit and remove the top part holding the handle on the top.
- II. Remove the filter from the tank. ■ Note that the rubber packing sometimes can be stuck and difficult to remove.
- III. Empty the content of the tank.



IV. Make sure that all pieces are aligned correctly when reattaching the filter and the top part.



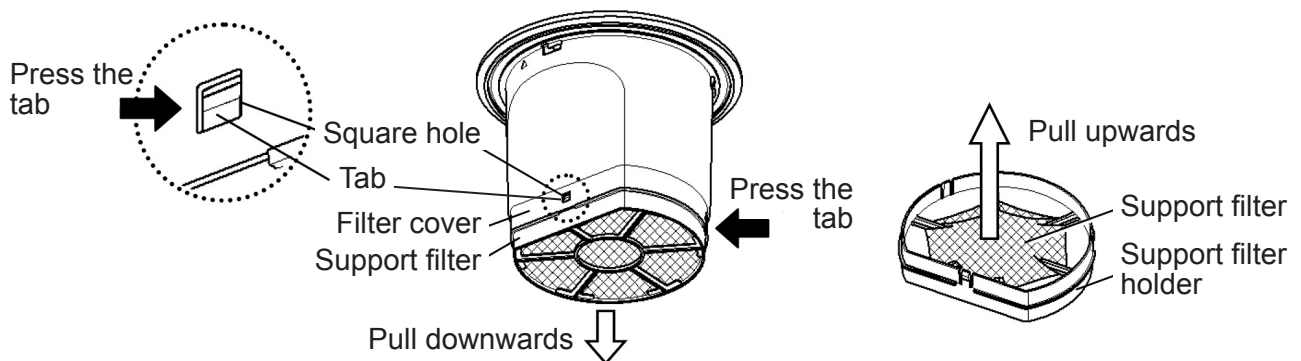
## 7. THE SUPPORT FILTER

### △ Note:

- \* If there is a gap between the support filter and the support filter holder, the normal filter can get damaged when cleaning metal chips and swarf, causing the unit break down or malfunction.
- \* Be careful not to apply pressure or allow any impact to the support filter holder. The support filter could then fall down through the filter cover.

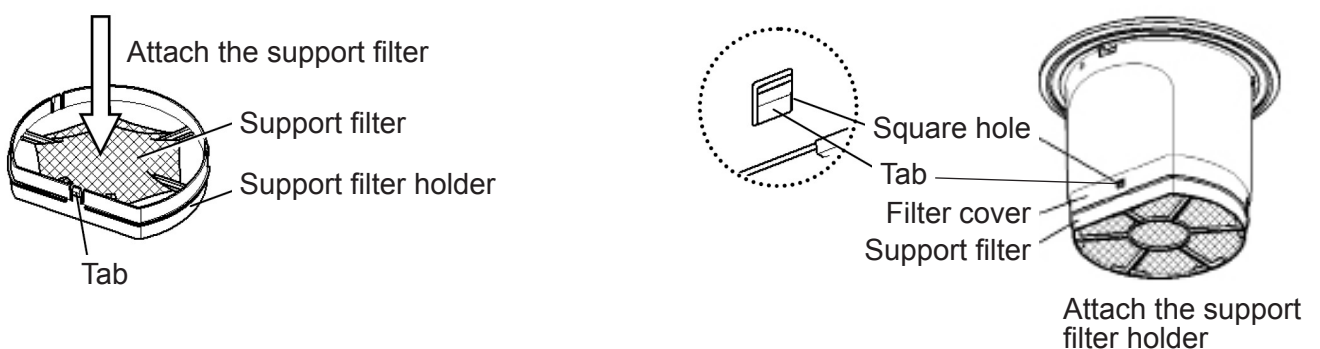
### (1) HOW TO REMOVE THE SUPPORT FILTER

- I. Fasten the filter cover so it doesn't move. Then pull the filter holder downwards while you press the 3 tabs on the sides to detach the support filter holder from the filter cover. Please store the filter in an appropriate place.
- II. Take the centre part of the support filter and pull it upwards to remove it from the support filter holder. Note that the support filter should only be removed from the holder when it needs to be washed, not in any other cases.



### (2) HOW TO REATTACH THE SUPPORT FILTER

- I. Put the support filter back in its place in the support filter holder. Make sure that the support filter is placed so that it is straight, without deformations and gaps.
- II. Attach the support filter holder to the filter cover so that the 3 tabs correctly get locked into the square holes.



# 5 MAINTENANCE

**Important: To ensure safety, read section one "1 For your safety!" first.**

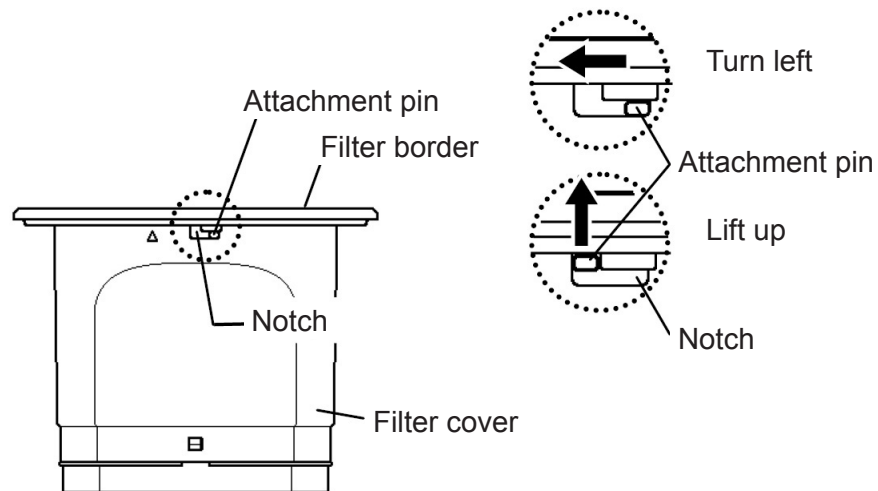
## 1. FILTER MAINTENANCE

**△ Note:**

- \* Do not use the vacuum cleaner while the filter is dirty or wet.
- \* When the filter is dirty or wet, the performance of the unit can deteriorate significantly.

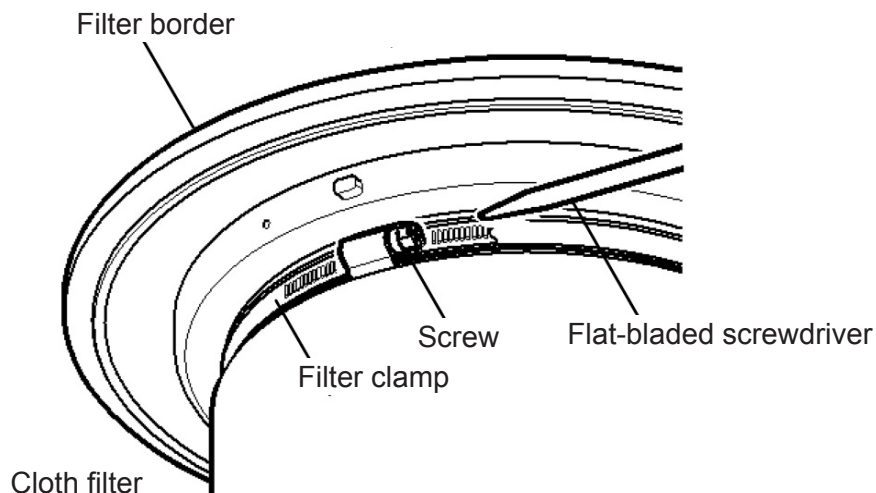
### (1) HOW TO REMOVE AND REATTACH THE FILTER COVER

- Extract the filter from the tank. Note that the filter sometimes can be difficult to remove due to the rubber packing being stuck to the filter cover.
- Fix the filter cover so that it won't move. Then turn the filter border so that the attachment pin on the side gets released from the notch in the filter cover. When the attachment pin has reached the end of the notch to the left, remove the filter border together with the cloth filter by lifting it up.
- When you reattach the filter cover, put the filter into the filter cover so that the attachment pin fits into the notch on the side of the filter cover. Then turn to the right until the attachment pin reaches the end of the notch, and the filter is firmly attached.



### (2) HOW TO REMOVE THE FILTER BORDER

- Remove the filter cover from the filter.
- Loosen the screw in the filter clamp by turning it to the left with a flat-bladed screw driver.
- Remove the filter border. Be careful not to lose the filter clamp or any of the other parts.

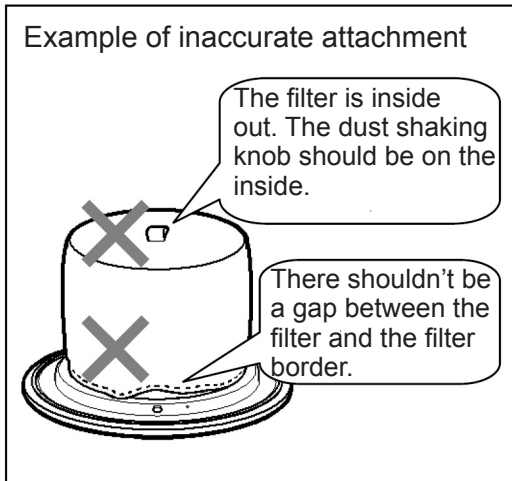
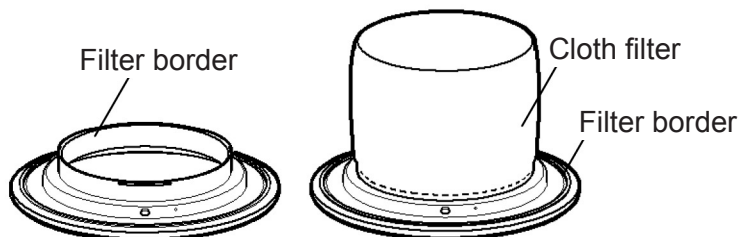


### (3) HOW TO ATTACH THE FILTER BORDER

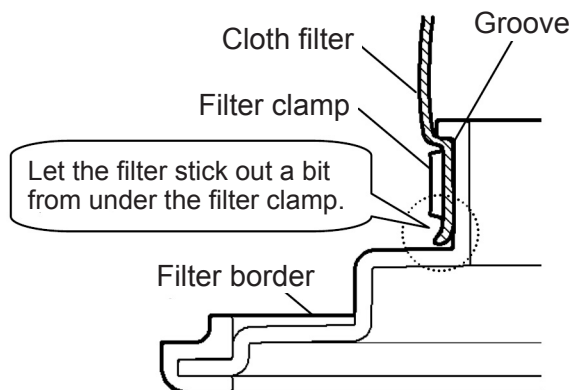
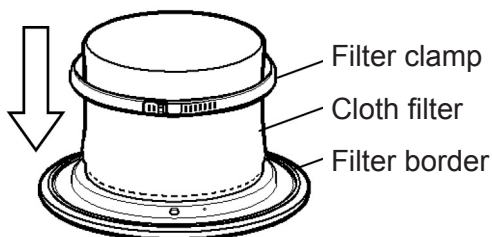
#### △ **Note:**

- \* If there is any gap between the cloth filter and the filter border, the content can leak or the filter can slip off during cleaning, causing an accident. Be sure to securely attach the filter to the filter border, and then fasten it firmly with the filter clamp.

- I. Attach the cloth filter to the filter border so that there is no gap between them.
- If the dust shaking knob is on the outside, like in the illustration to the right, the filter is inside out. Adjust the filter to its correct side so that the dust shaking knob is on the inside instead.

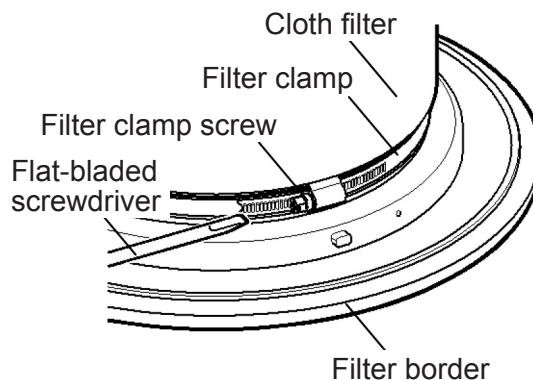


- II. Put the filter clamp over the filter and attach where the groove of the filter border is.
- Put the cloth filter so that it can not slip off and leave a gap between it and the filter border. Therefore let the filter stick out a bit from under the filter clamp.



- △ **Note:** Be careful so that the cloth filter does not get damaged by the edge of the filter clamp.

- III. Now fasten the filter clamp. This is done by tightening the screw of the filter clamp, turning it to the right with a flat-bladed screwdriver.
- IV. Make sure that the cloth filter is securely fastened and that it doesn't come off even if you pull it. Also make sure that the filter clamp is firmly fastened.



#### △ **Note:**

- \* If there is any gap between the cloth filter and the filter border, the content can leak or the filter can slip off during cleaning, causing an accident. Be sure to securely attach the filter to the filter border and fasten it firmly with the filter clamp.

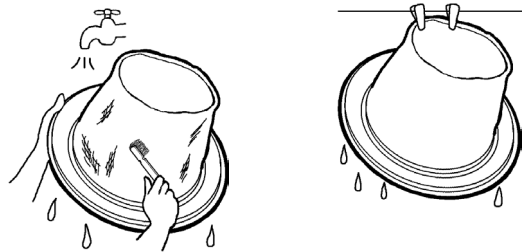
#### (4) WASHING THE FILTER

**△ Note:**

\* Be gentle when washing the cloth filter. If you rub it or wring it too hard, it could tear and be rendered unusable.

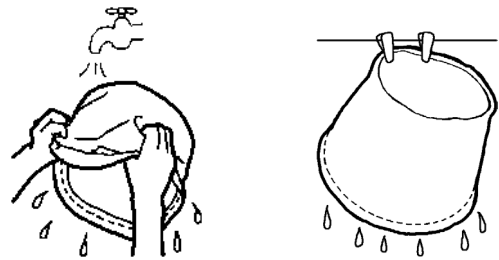
**A** WASHING WITH THE FILTER BORDER ATTACHED

- I. Remove the filter cover from the filter.
- II. Remove stuck dirt and dust with a tooth brush or similar brush, then wash the filter with cold or lukewarm water.
- III. Dry the cloth filter in a shady place until it is completely dry.



**B** WASHING WITH THE FILTER BORDER REMOVED

- I. Remove the filter cover from the filter.
- II. Remove the filter border from the filter.
- III. Remove stuck dirt and dust with a tooth brush or similar brush, then wash the filter with cold or lukewarm water.
- IV. Dry the cloth filter in a shady place until it is completely dry.
- V. Reattach the filter to the filter border and put it back into the filter cover.



## 2. GENERAL MAINTENANCE

- I. If the hose or the exterior of the unit becomes dirty, wipe it clean with a wrung waste cloth or a rag dipped in a dilute solution with neutral detergent .
- II. Note that there are some detergents that cannot be used on resin parts, so be sure to check the warning label on the detergent before use.
- III. Even detergents that can be used on resin parts can cause the resin to crack, so be sure to wipe the unit clean with a wet cloth containing only water before you finish, removing any last trace of detergent.

**△ Note:**

\* Do not use any kerosene, benzine, alcohol or thinner-based product to clean the unit.

## 6 SAFETY INSPECTION

**Important: To ensure safety, read section one "1 For your safety!" first.**

To ensure safe operation, please perform the following inspections before use.

If any damage or malfunction is discovered, please take measures to resolve the problem immediately.

- \* If the repair requires dismantling of the unit, be sure to let a certified and qualified repair technician conduct the repair. Do not under any circumstance let anyone except for certified repair technicians to do any dismantling, repair or reconstruction of the unit.

<b>Inspection</b>	<b>Measure</b>
<b>Is the electric cord damaged or deformed?</b>	Change the cord after having consulted with an authorized electrician.
<b>Is the electric plug deformed or loose?</b>	Change the cord after having consulted with an authorized electrician.
<b>Are there any cracks in the protective rubber of the switch?</b>	Change the Switch after having consulted with an authorized electrician.
<b>Is the hose deformed or torn?</b>	Change the hose for a new one.
<b>Is dirt or dust stuck in the hose or tube, obstruction the suction?</b>	Remove the obstructing dirt or dust.
<b>Is the filter clogged with dust or dirt?</b>	Clean the filter.
<b>Is the filter installed correctly?</b>	If not, install it correctly.
<b>Is the filter torn or damaged?</b>	Change the filter for a new one.
<b>Are all the metal fittings securely attached?</b>	If not, attach them firmly.
<b>Are the metal fittings bent or crocked?</b>	Change them for new ones.
<b>Is the tank deformed?</b>	Change the tank for a new one.
<b>Is the tank filled with liquids, dust or dirt?</b>	Empty the tank.
<b>Is the top part or the vacuum cleaner attached correctly?</b>	If not, reattach it correctly.
<b>Are the caster wheels worn out or deformed?</b>	Change the caster wheels for new ones.
<b>Are any of the bolts or nuts loose?</b>	Tighten them firmly with the appropriate tool.
<b>Is there any irregular sound from the motor?</b>	Please consult with your local dealer regarding inspection and repair.
<b>Is the unit emitting strange sounds or smells?</b>	Please consult with your local dealer regarding inspection and repair.

# 7 TROUBLESHOOTING

**Important: To ensure safety, read section one "1 For your safety!" first.**

If you think the unit might be damaged, first check the items described below. Note that any kind of dismantling, repair or reconstruction must be conducted by a licenced repair technician.

What's wrong?	What to check	Measure
<b>I cannot turn on the unit</b>	Is there power supply? (The power could be off because of blackout etc.)	Turn off the unit until the power is back on again.
	Is the plug correctly connected in the outlet?	Insert the plug correctly into the outlet.
	Is the electric cord broken or damaged in any other way?	The electric cord needs to be changed for a new one.
	Is the electric breaker down?	Remove whatever cause the breaker to shut off, and then raise the breaker again.
	Is the motor worn out?	The motor needs to be changed. The average life span of a motor is approximately 500 hours.
<ul style="list-style-type: none"> <li>• <b>There is no suction</b></li> <li>• <b>The unit is producing more noise</b></li> </ul>	Is the tank filled with dirt or liquids?	Empty the tank.
	Has the hose or hose attachment piece become clogged with dirt or dust?	Remove the obstructing dirt.
<b>The suction suddenly became weaker</b>	Has the hose or hose attachment piece become clogged with dirt or dust?	Remove the obstructing dirt.
	Has the hose or tube gotten torn?	Replace the part with a new one.
	Is there any gap between the unit top part, the filter or the tank?	Align the top part, the filter and the tank and firmly attach them with the attachment pieces.
	Is the filter clogged with dust or dirt?	<ol style="list-style-type: none"> <li>1. Shake off the dust from the filter with the dust shaking knob.</li> <li>2. If the filter is very dirty, wash it following the instructions on pages 9-11.</li> <li>3. If the suction does not improve even after having washed the filter, change the filter for a new one.</li> </ol>
	Is the support filter clogged with dust or dirt?	Detach the support filter and wash it with water only (no soap or detergent).
	Is the motor working in an irregular manner?	Have certified repair technician change the motor, or if possible find and fix the problem.
<b>After I changed the filter, the motor is running, but there is no suction</b>	Is the filter correctly placed between the unit top part and the tank?	Put the filter in a correct way.

If the problems do not get resolved by the above suggested measures, please consult with your local dealer.

## FOR YOUR SAFETY

- \* If this unit is used correctly, there is no risk of it causing any accidents.
- \* However, depending on the substances cleaned and factors in the surrounding environment, a spark from discharging static electricity among other things could ignite a fire, causing explosive gas or dust to explode.
- \* Do not under any circumstances use the unit in places that contain inflammable, explosive or corrosive gases, or that have high concentration of explosive or inflammable dust in the air or on the ground.
- \* For your reference, we list a few common explosive and inflammable gases here below:

### (1) MAIN TYPES OF EXPLOSIVE GASES:

Explosion class	Level of ignitability					
	G1	G2	G3	G4	G5	G6
1	Acetone, Toluene Ammonia, Propane Carbon monoxide, Benzene Ethane, Methanol, Acetic acid Methane, Ethyl acetate	Ethanol, Isoamyl acetate, 1 - butanol Butane, Acetic anhydride	Gasoline, Hexane	Acetaldehyde, Ethyl ether		Nitrous ether
2	Coal gas	Ethylene, Ethylene oxide	Isoprene			
3	Water gas, Hydrogen	Acetylene			Carbon disulfide	Ethyl nitrate

### (2) MAIN TYPES OF EXPLOSIVE OR INFLAMMABLE DUST:

Explosive dust	Inflammable dust	
	Conductive dust	Non-conductive dust
Magnesium, Aluminium Aluminium bronze Oilless aluminium	Zinc, Titanium, Coke Carbon black, Iron, Coal	Flour, Corn, Sugar Rubber, Dyes, Polyethylene Phenolic resin, Cocoa Lignin, Rice, Sulphur

## THE OCCURRENCE OF STATIC ELECTRICITY AND ITS PREVENTION

- \* Static electricity refers to the build up of electric charge on the surface of objects.
- \* In the case of vacuum cleaner and dust collectors, when you clean dust, that dust makes contact with the hose or duct, creating friction, which in its turn charges the vacuum cleaner or dust collector, their hoses, ducts and filters with static electricity.
- \* Because of that, when this accumulated electric charge in the unit or hose/duct is neutralized by electric discharge, it could ignite the surrounding inflammable dust, causing a so called dust explosion.
- \* In order to minimize the occurrence of static electricity, you should earth the unit and/or the duct and hose. By doing so, the static electricity becomes neutralized before it becomes too great.
- \* Static electricity occurs more the dryer the air is and the finer the dust that is being cleaned is.
- \* For your reference, we have ranked a few materials by how easy they become electrically charged:

### (3) RANKING OF ELECTRICALLY CHARGEABLE MATERIALS:

Metals	Fibres	Natural substances	Synthetic resin
(+) Lead Zinc Aluminium Chrome Iron Copper Nickel Gold Platinum (-)	(+) Wool Nylon Rayon Silk Cotton Hemp Glass fibre Acetate Vinylon Polyester Acrylic (-)	(+) Asbestos Fur, Hair Glass Mica Wood Human skin Paper Rubber Celluloid Cellophane (-)	(+) Eponaito Polystyrene Polypropylene Polyethylene Vinyl chloride Poritetorafuroroechiren (-)

## 8 AFTER SERVICE AND WARRANTY

### **Caution**



Please use standard parts for maintenance and repair.

- \* If you use spare parts other than standard parts, there is risk that they will not fit properly and can cause malfunction or accidents.
- \* If a warranty claim occurs for a unit that has unauthorized spare parts, we will not be able to accommodate that request, and also the whole warranty will become invalid.
- \* The same condition applies also to the case if Suiden spare parts are used in products from other companies.

#### • REPAIR

For questions regarding acquiring spare parts or regarding repair, please contact the store where you purchased the unit, after having prepared the product number, the manufacturer's serial number and the date of purchase.

#### • WARRANTY

This warranty period for this unit is one year from delivery date, given that the following conditions are filled.

#### **Conditions**

The warranty is valid for units that have malfunctioned or have broken down, within the warranty period, because of deficiencies in design, parts or assembly made by our company, and that has not been able to be resolved by following the instructions on safety inspection and trouble shooting in this instruction manual.  
However, the warranty does not cover costs or other losses that may occur as a result of malfunction or breakdown of the unit.  
Further, change of worn-out parts are not covered by the warranty, even if the parts become worn out within the warranty period, and also without regard to whether they have caused malfunction or not.

### **For your safety**

- \* If you intend to use the unit to preserve food products, animals and plants, precision machines, art objects etc., please check the specific requirements of those objects carefully before you commence. Inaccurate or inappropriate use can cause the quality of the objects to deteriorate.
- \* Sometimes it will be necessary to perform installation work and electric work to the unit. In these cases, contact your local dealer or an experienced professional. If the works are performed inadequately, there is risk of electric shock, fire or accidents.

### **Increase the units life span with regular inspection**

#### **Does the unit show any of the following symptoms?**

- \* Sometimes the unit doesn't start even when I turn on the power switch.
- \* During operation, sometimes irregular noise or vibrations occur.
- \* The unit is deformed or abnormally hot.
- \* The unit smells burned.
- \* There are other irregularities.



#### **If yes, cease operation immediately!**

- \* If the unit shows any of these symptoms, to prevent malfunction, breakdown or accidents, turn off the power and unplug the unit immediately. Do not start using it again until it has been checked by a certified repair technician.