

JETCHISEL Model JT-10

Super lightweight and palm-sized

- Remove weld slag, rust and paint
- Easily change needles without any tools
- 1.6 mm dia. Needles for detailed work



Weight
500 g
(With hose)

Stainless
steel needles
are also available
as option

**First
in the series!**



Equipped with
a flow control lever



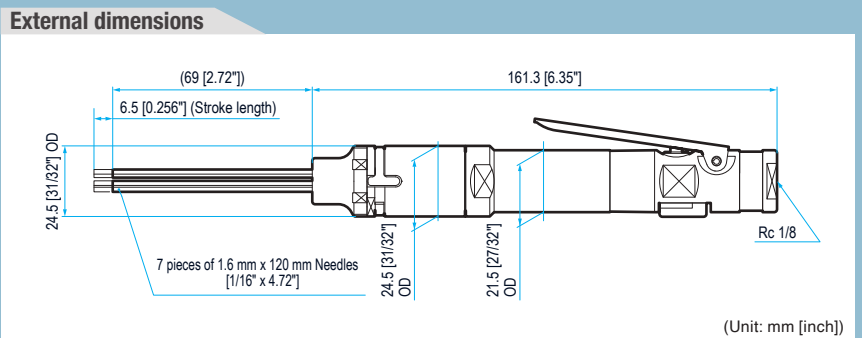
YouTube



Change needles without tools



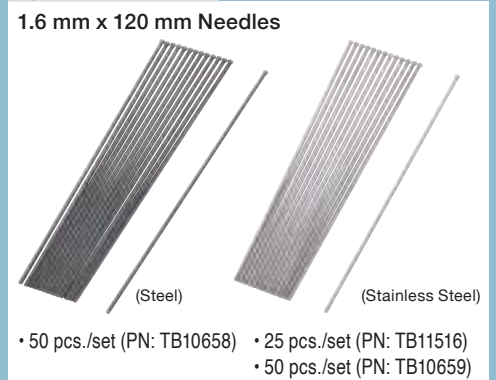
Specifications		Model	JT-10
Air Pressure	MPa (bar, PSI)		0.6 (6, 85)
Air Consumption (No-load)	m ³ /min (CFM)		0.10 (3.6)
Strokes per Minute	min ⁻¹ (SPM)		5500 (5500)
Number of needles used	pcs		7
Standard length of needle	mm (inch)		120 (4.72)
Mass (Weight)	kg (lbs)		0.5 (1.1) with air hose
Accessories Included	<ul style="list-style-type: none"> • 7 pieces of 1.6 mm x 120 mm Steel Needles (Installed) • 7 pieces of 1.6 mm x 120 mm Steel Needles • Air Hose E Assy 		



JET CHISEL Series



Optional items



NITTO KOHKI CO., LTD.

Web www.nitto-kohki.co.jp/e/

Head Office

9-4, Nakaikogami 2-chome, Ohta-ku, Tokyo 146-8555, Japan
 Tel : +81-3-3755-1111 Fax : +81-3-3753-8791
 E-mail : overseas@nitto-kohki.co.jp



DISTRIBUTED BY